

CS-4010

Serial Number

C91540000001-C91540999999

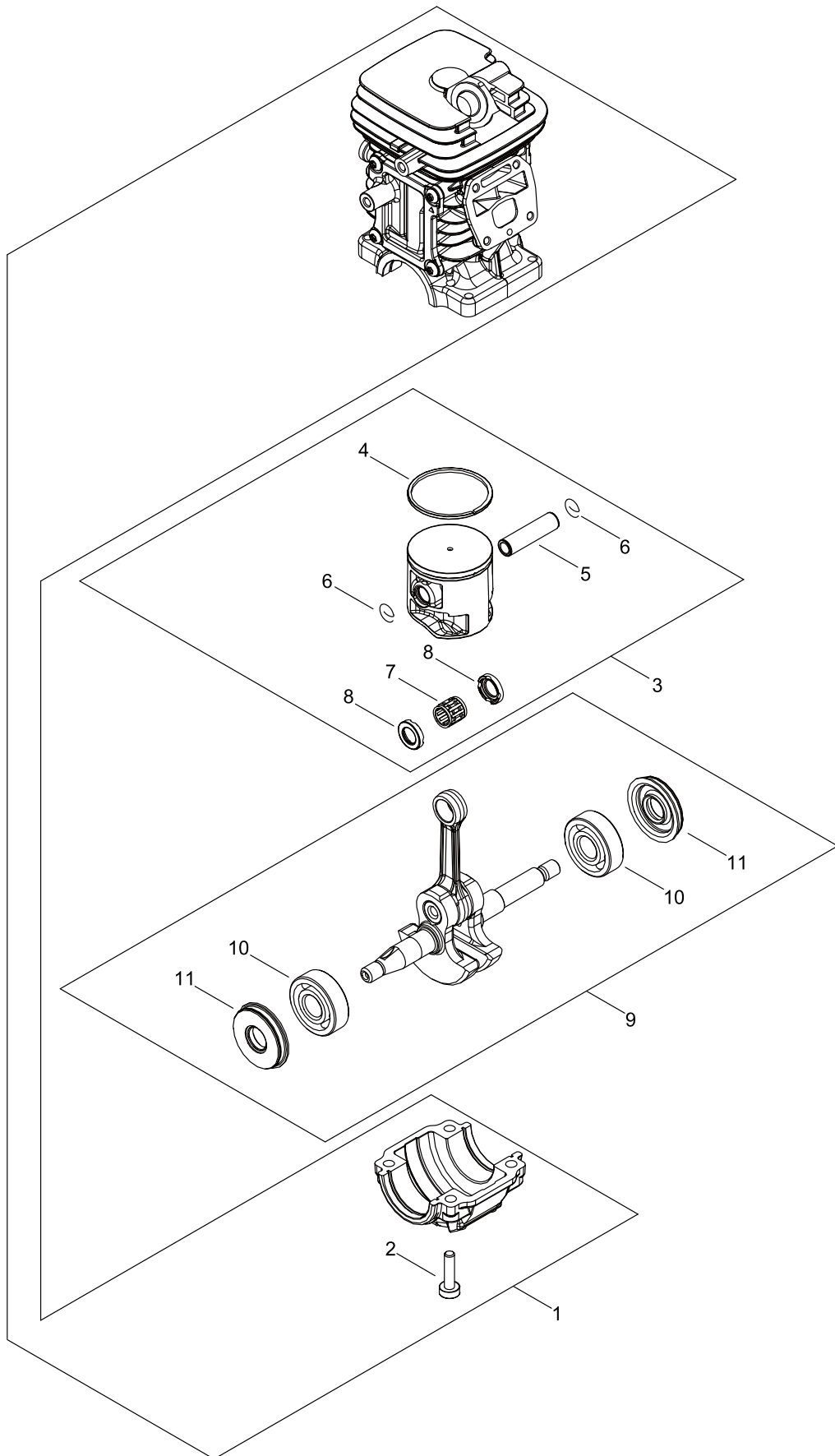
Last updated date

28/Apr/2023

TABLE OF CONTENTS

CYLINDER, PISTON, CRANKSHAFT	1
ENGINE COVER.....	3
MAGNETO.....	5
AIR CLEANER, CARBURETOR.....	7
CARBURETOR.....	9
MUFFLER.....	11
RECOIL STARTER.....	13
HANDLE.....	15
CHAIN BRAKE.....	17
ACCESSORIES	19
GUIDE BAR, CHAIN	21
OPTION PARTS.....	23

CYLINDER, PISTON, CRANKSHAFT



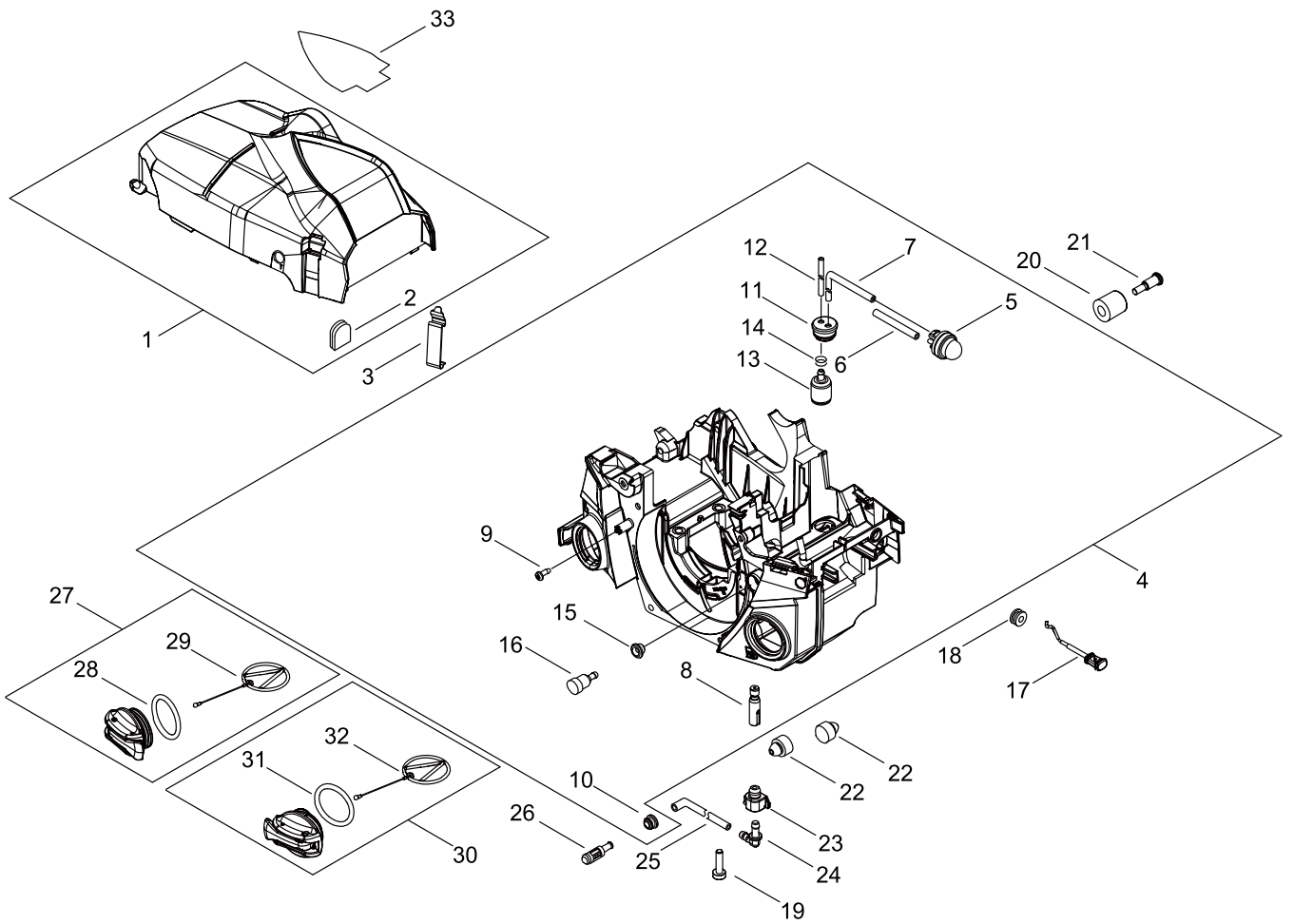
CYLINDER, PISTON, CRANKSHAFT

Key No.	LV (+)	Parts Number	Parts Description	Qty	Standard	Class
1		P100-012160	CRANKCASE SET	1		D
2	+	V805-000210	BOLT, TORX 5	4	TB-5*20 12.9	C
3		P100-012150	PISTON KIT	1		D
4	+	A101-000830	RING, PISTON	1	42*B1.5*T1.8	B
5	+	V607-000050	PIN,ENG 9	1	4*9*33.8	D
6	+	100015-03931	CIRCLIP, PISTON PIN	2		C
7	+	100012-16131	BEARING, NEEDLE	1		C
8	+	100014-53630	SPACER, PISTON PIN	2		C
9		P100-012170	CRANKSHAFT ASY	1		D
10	+	94095-36201	BEARING, BALL	2	6201	
11	+	V505-000011	SEAL,OIL 12	2	12*32*5.5	C

Class : Consumable class

A:Fast moving parts B:Semi-fast moving parts C:Slow moving parts D:Order only as needed

ENGINE COVER



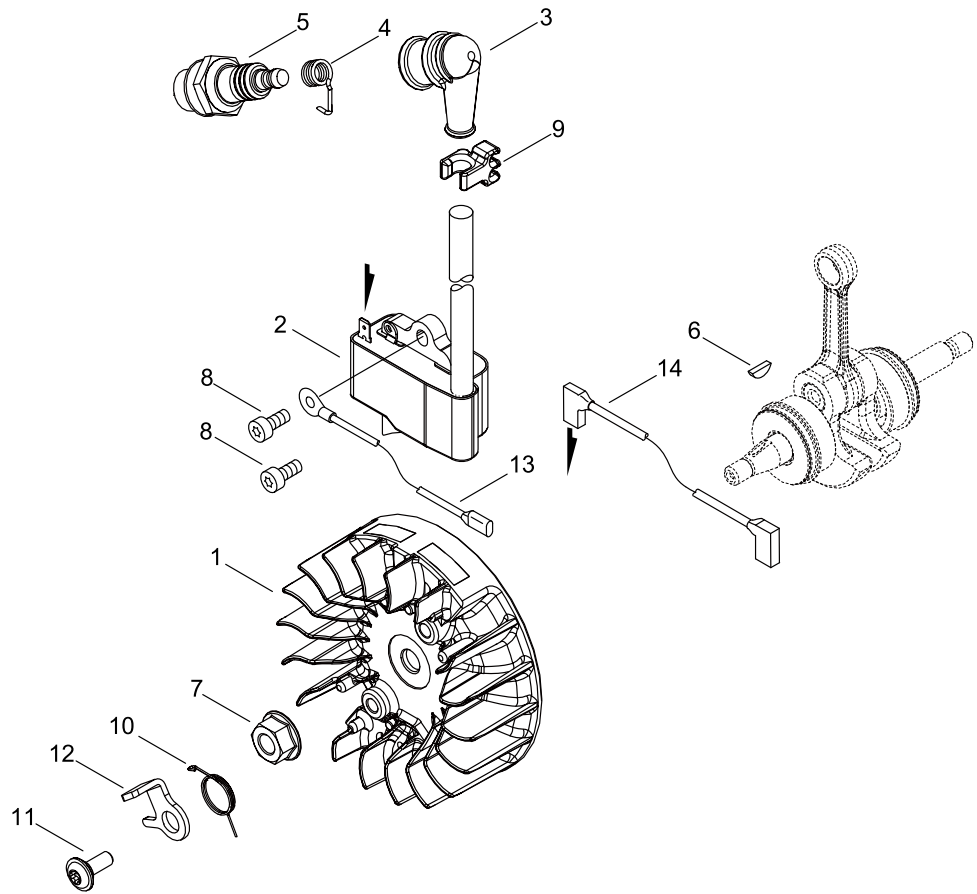
ENGINE COVER

Key No.	LV (+)	Parts Number	Parts Description	Qty	Standard	Class
1		P100-012220	CYLINDER COVER ASY	1		C
2	+	130338-32430	PLUG, COVER	1		B
3		V490-001730	CLIP	2		C
4		P100-012180	COVER ENGINE ASY	1		C
5	+	A035-000040	PUMP, FUEL	1	188-554-A	A
6	+	V471-001321	PIPE	1	2.4*5*90	C
7	+	V471-005870	PIPE	1	2.4*5*70	C
8	+	C022-000190	AUTO-OILER ASSEMBLY	1		C
9	+	91449-04010	SCREW, TAPPING	1	4*10	C
10	+	132115-01462	GROMMET	1		C
11	+	132115-44331	GROMMET, FUEL	1		C
12	+	V471-001231	PIPE	1	3*5*210	C
13	+	A369-000420	STRAINER, FUEL	1	ES-16499	A
14	+	V490-001240	CLIP	1		C
15	+	V137-000001	GROMMET,FUEL	1		C
16	+	A356-000031	VALVE,CHECK	1		B
17		A241-000430	KNOB, CHOKE	1		C
18		178810-03330	GROMMET	1		C
19		V805-000210	BOLT, TORX 5	4	TB-5*20 12.9	C
20		C310-000110	CATCHER, CHAIN	1		B
21		V203-002260	BOLT,5	1		C
22		V420-001790	CUSHION	2		B
23		V138-000030	GROMMET,OIL	1		C
24		V186-000530	JOINT,PIPE	1		C
25		437210-30831	PIPE	1	3*6*210	C
26		P100-001900	STRAINER, OIL	1		B
27		P100-012230	CAP ASY	1		C
28	+	900720-20029	O-RING	1	P-29	
29	+	131051-19830	LINK	1	60L	B
30		P100-012240	CAP ASY	1		C
31	+	900720-20029	O-RING	1	P-29	
32	+	131051-19830	LINK	1	60L	B
33		X503-016280	LABEL,MODEL	1	CS-4010/JP TECH	D

Class : Consumable class

A:Fast moving parts B:Semi-fast moving parts C:Slow moving parts D:Order only as needed

MAGNETO



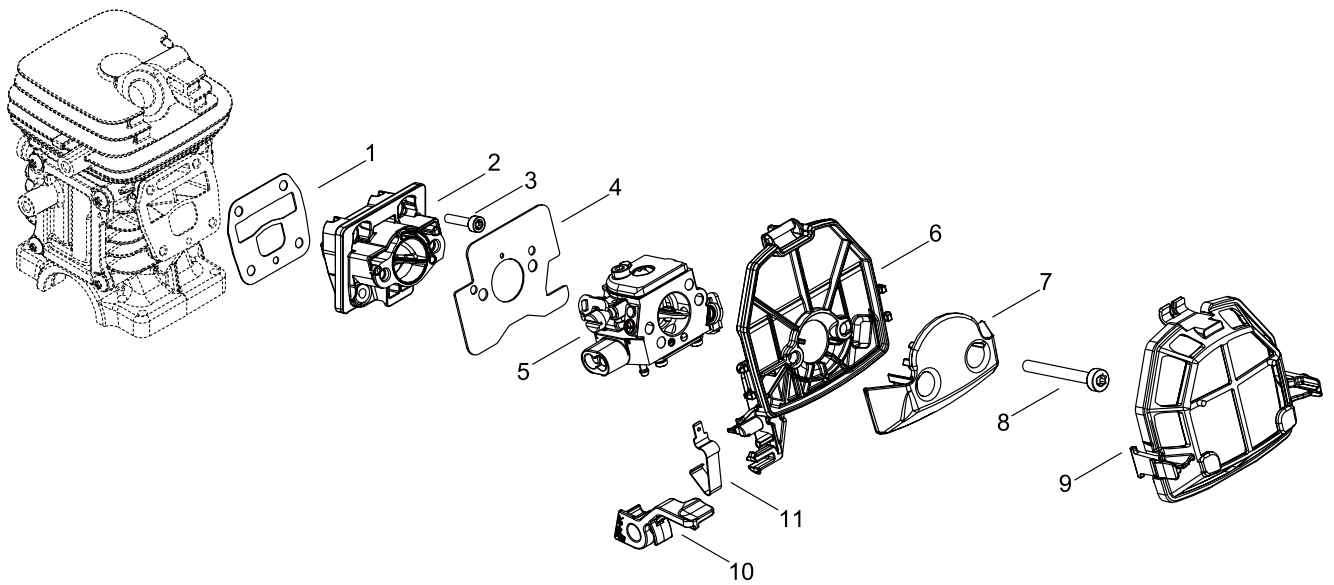
MAGNETO

Key No.	LV (+)	Parts Number	Parts Description	Qty	Standard	Class
1		A409-001460	ROTOR, MAGNETO	1	ID#R10056	C
2		A411-002060	COIL, IGNITION	1	ID#A10118	C
3		A427-000013	CAP, SPARK PLUG	1		C
4		A426-000010	TERMINAL, SPARKPLUG	1		C
5		A425-000000	SPARKPLUG	1	BPMR8Y	A
6		100142-12330	KEY, WOODRUFF	1		C
7		900515-00008	NUT, FLANGE	1	8	
8		V805-000250	BOLT, TORX 5	2	TB-5*16 12.9	C
9		A514-000020	PAWL	2		C
10		177234-35430	SPRING, RETURN	2		B
11		V203-002250	BOLT, 5	2		C
12		V490-000310	CLIP	1		C
13		V485-003730	LEAD	1	AVX0.75F-L:120	C
14		V485-003740	LEAD	1	AVX0.75F-L:160	C

Class : Consumable class

A:Fast moving parts B:Semi-fast moving parts C:Slow moving parts D:Order only as needed

AIR CLEANER, CARBURETOR



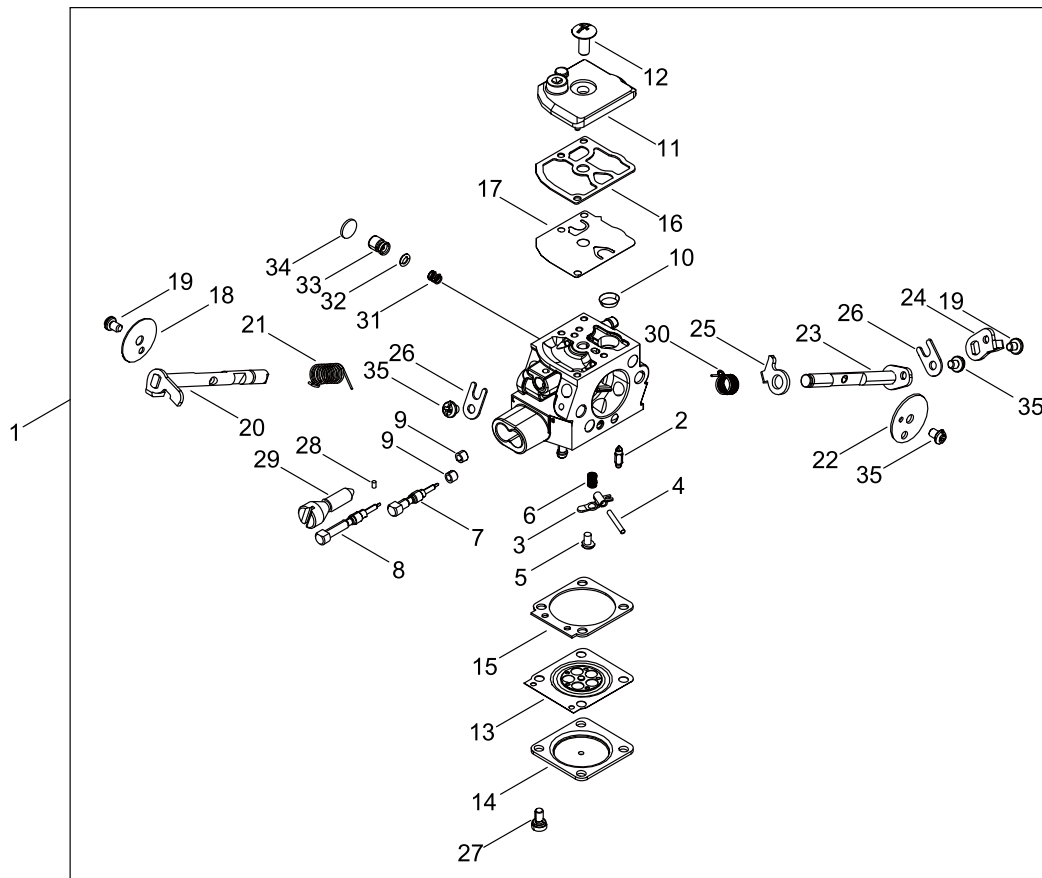
AIR CLEANER, CARBURETOR

Key No.	LV (+)	Parts Number	Parts Description	Qty	Standard	Class
1		V103-002210	GASKET,INTAKE	1		A
2		A200-001310	INSULATOR, INTAKE	1		C
3		V202-000750	BOLT,4	4	TB2458(MEC) 6MM	C
4		V103-002230	GASKET,INTAKE	1	CARB. SIDE_INS.	A
5		A021-005420	CARBURETOR,DIAPHRAGM	1	GC-03	B
6		A225-000760	CASE,CLEANER	1		C
7		A161-000450	DUCT, AIR	1		C
8		V805-000280	BOLT, TORX 5	2	TB-5*45 10.9	C
9		A226-002510	ELEMENT, AIR FILTER	1	ID#3050	A
10		A444-000150	KNOB, SWITCH	1		C
11		A443-000200	PLATE, CONTACT	1		C

Class : Consumable class

A:Fast moving parts B:Semi-fast moving parts C:Slow moving parts D:Order only as needed

CARBURETOR



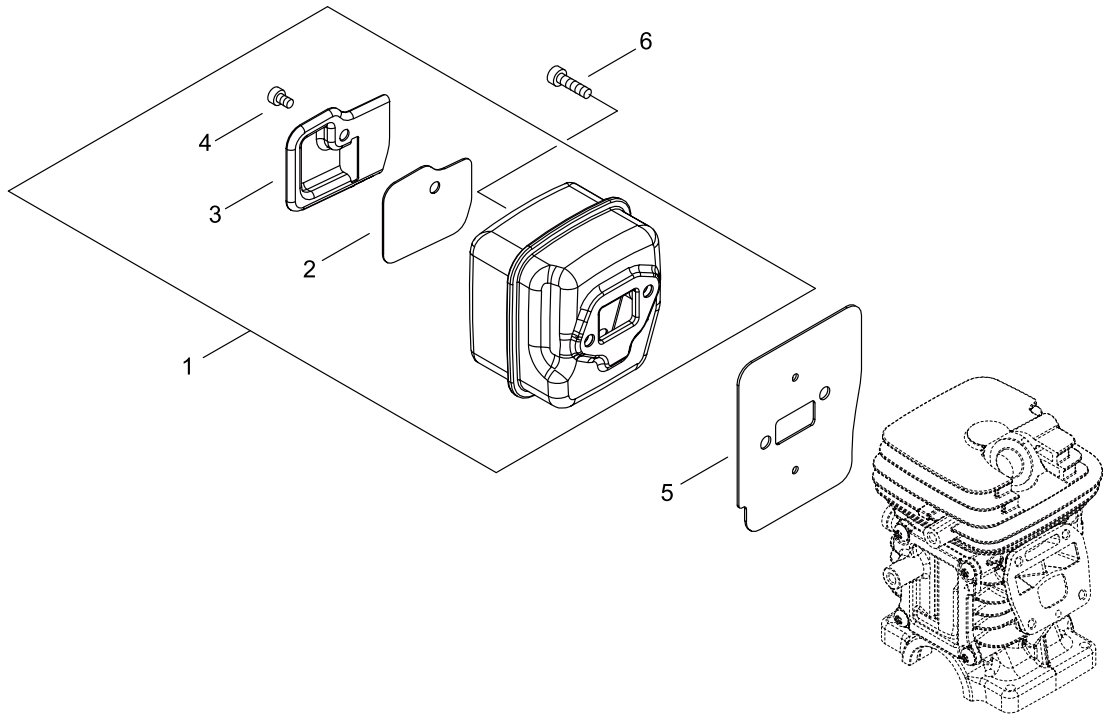
CARBURETOR

Key No.	LV (+)	Parts Number	Parts Description	Qty	Standard	Class
1		A021-005420	CARBURETOR,DIAPHRAGM	1	GC-03	B
2	+	P006-000130	VALVE, INLET NEEDLE	1		D
3	+	P006-000120	LEVER, METERING	1		
4	+	P006-000110	PIN, METERING LEVER	1		
5	+	P006-001490	SCREW	1		D
6	+	P006-001480	SPRING,METERING	1		D
7	+	P006-001510	NEEDLE	1		D
8	+	P006-001500	NEEDLE	1		D
9	+	P006-000850	RETAINER	2		D
10	+	P006-000200	SCREEN,INLET	1		
11	+	P006-001450	COVER, PUMP	1		D
12	+	P006-001440	SCREW	1		D
13	+	P006-001430	DIAPHRAGM, METERING	1		A
14	+	P006-001420	COVER,METERING	1		D
15	+	P006-001410	GASKET,METERING	1		A
16	+	P006-001400	GASKET, FUEL PUMP	1		A
17	+	P006-001390	DIAPHRAGM PUMP	1		A
18	+	P006-001380	VALVE, THROTTLE	1		D
19	+	P006-001370	SCREW	2		D
20	+	P006-001360	SHAFT ASY,THROTTLE	1		D
21	+	P006-001350	SPRING, THRT. RETURN	1		D
22	+	P006-001340	VALVE, CHOKE	1		D
23	+	P006-001330	SHAFT, CHOKE ASY	1		D
24	+	P006-001320	LEVER,THROTTLE	1		D
25	+	P006-001310	LEVER	1		D
26	+	P006-001060	CLIP, THROTTLE SHAFT	2		D
27	+	P006-001010	SCREW	4	M3*6	D
28	+	P006-000760	PIN, METERING LEVER	1		D
29	+	P006-001300	SCREW	1		D
30	+	P006-001290	SPRING, CHOKE RETURN	1		D
31	+	P006-001090	SPRING, START VALVE	1		C
32	+	P006-001280	PUMP KIT, ACC.	1		D
33	+	P006-001100	RING,O	1		C
34	+	P006-001270	PLUG, WELCH	1		D
35	+	P006-001260	SCREW	3		D

Class : Consumable class

A:Fast moving parts B:Semi-fast moving parts C:Slow moving parts D:Order only as needed

MUFFLER



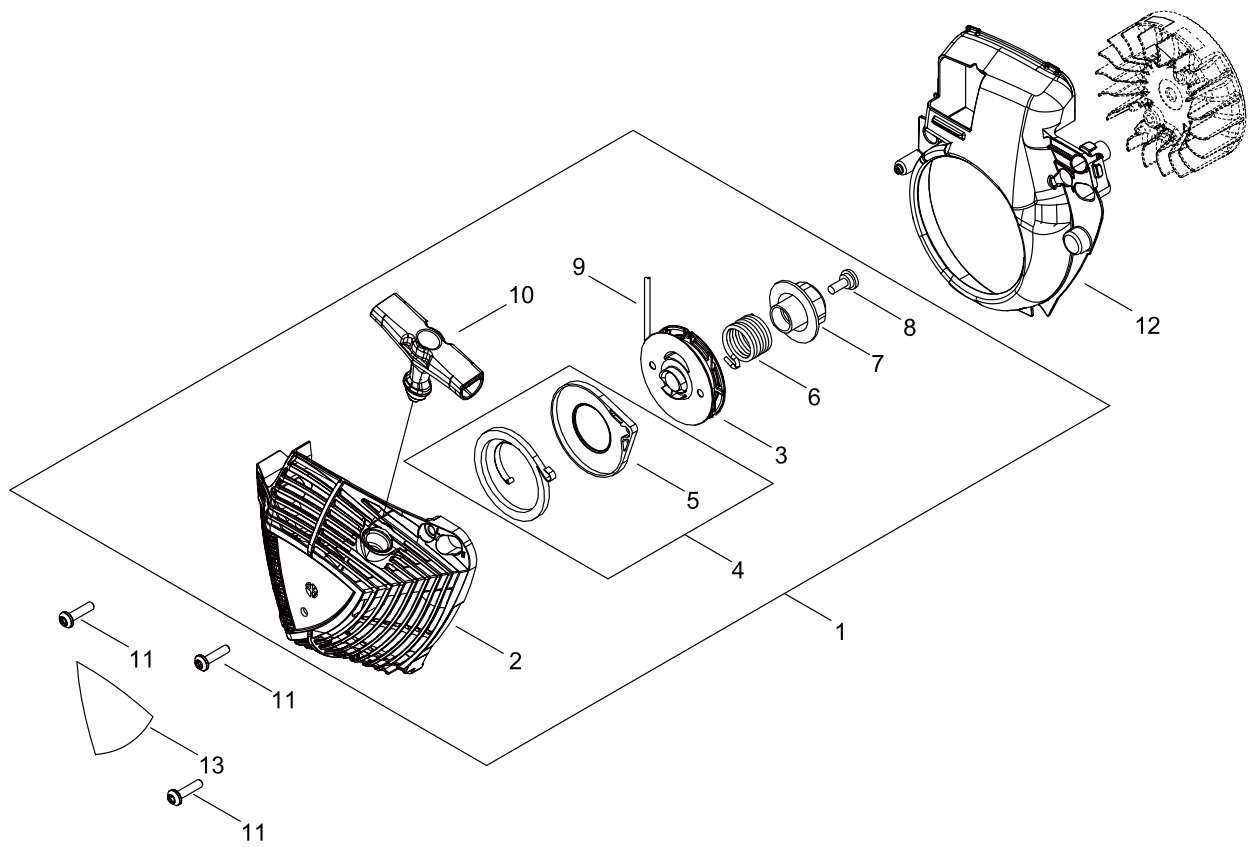
MUFFLER

Key No.	LV (+)	Parts Number	Parts Description	Qty	Standard	Class
1		P100-012190	MUFFLER ASY	1		B
2	+	A310-000570	SCREEN, ARRESTOR	1	0.34X30	B
3	+	A313-002110	GUIDE, EXHAUST	1	T0.8 ID#2720	C
4	+	V805-000120	BOLT, TORX 5	1	TB-5*8 10.9	C
5		V104-002590	GASKET,EXHAUST	1	NP7002 T1.0	A
6		V805-000250	BOLT, TORX 5	2	TB-5*16 12.9	C

Class : Consumable class

A:Fast moving parts B:Semi-fast moving parts C:Slow moving parts D:Order only as needed

RECOIL STARTER



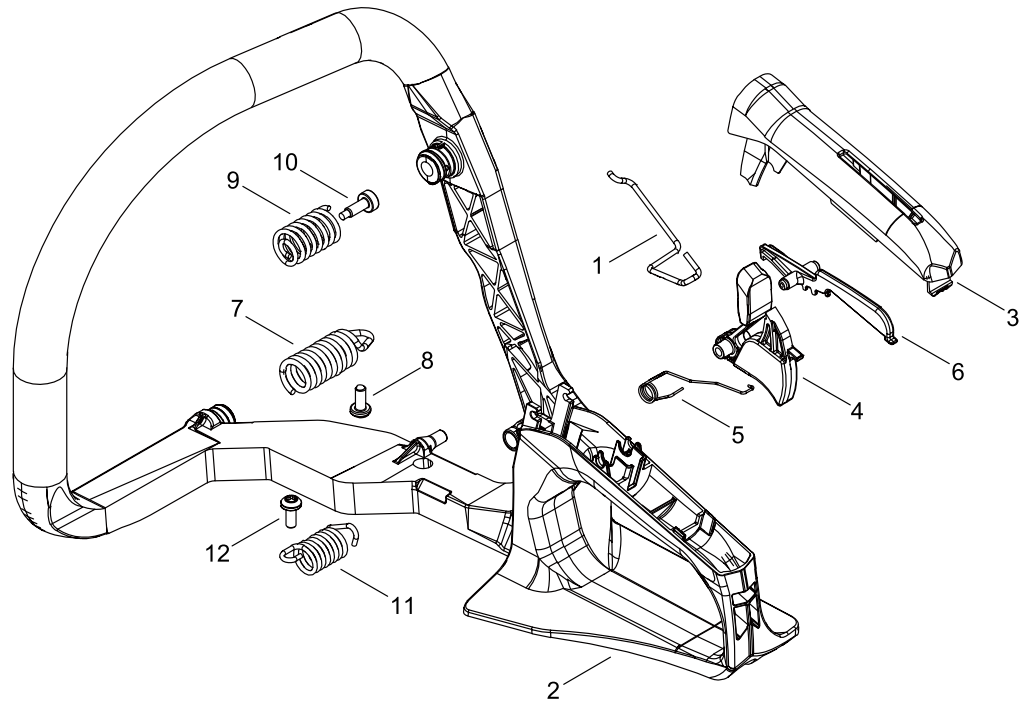
RECOIL STARTER

Key No.	LV (+)	Parts Number	Parts Description	Qty	Standard	Class
1		A051-003620	STARTER,RECOIL ASY	1		B
2	+	P022-063830	CASE,STARTER	1		C
3	+	P022-055670	DRUM, STARTER	1		C
4	+	P022-001330	SPRING KIT, REWIND	1		B
5	++	P022-033280	SPRING CASE	1		C
6	+	V452-001320	SPRING,TORSION	1		B
7	+	A507-000110	CATCHER,PAWL	1		C
8	+	177236-61830	SCREW	1		
9	+	P022-050440	ROPE, STARTER	1		
10	+	A511-000300	GRIP,STARTER	1		C
11		V805-000010	BOLT, TORX 5	3	TT-5*20 DG 10.9	C
12		A172-003780	COVER,FAN	1		C
13		X502-001330	LABEL,ECHO	1	CS-4010/ECHO	D

Class : Consumable class

A:Fast moving parts B:Semi-fast moving parts C:Slow moving parts D:Order only as needed

HANDLE



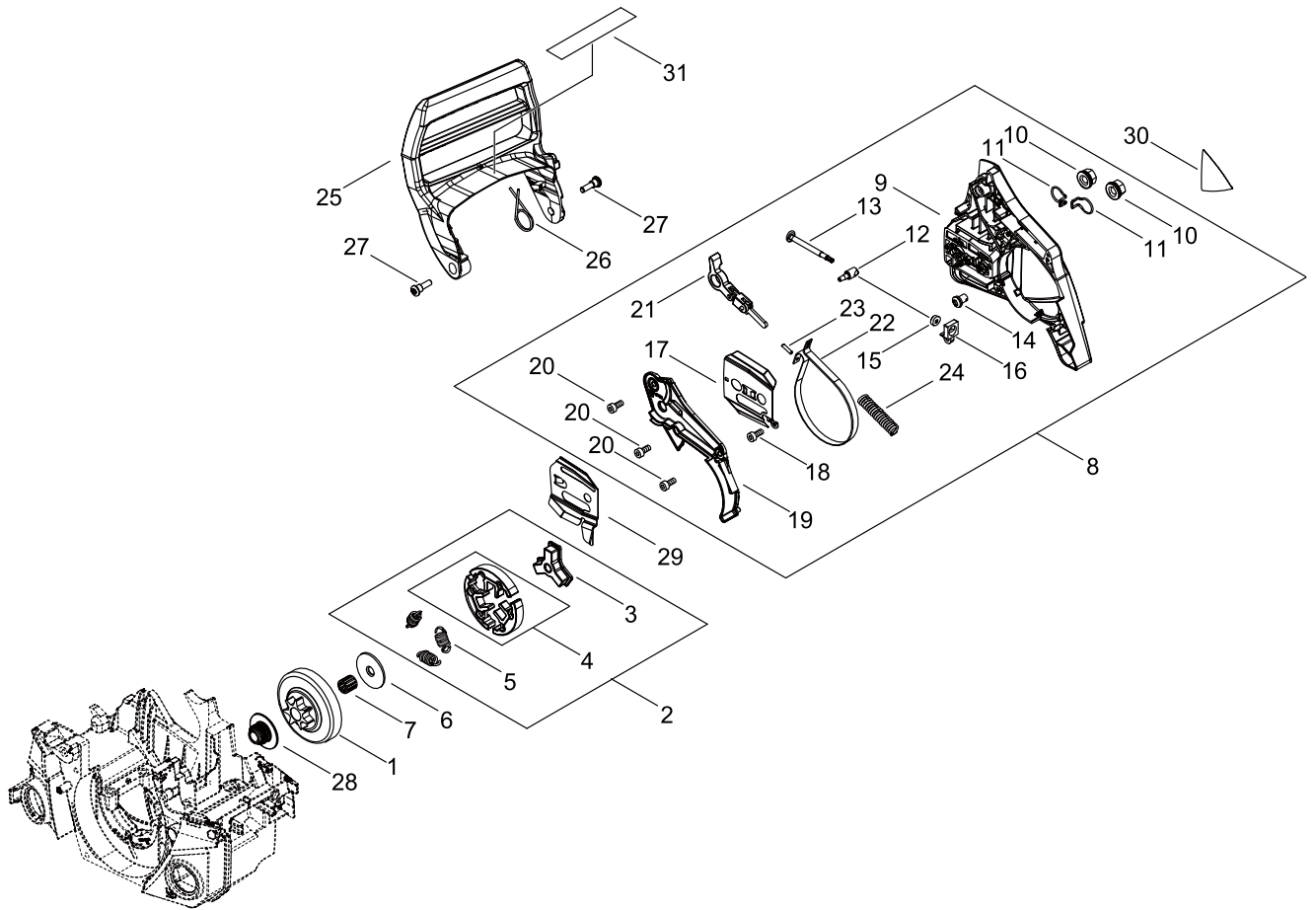
HANDLE

Key No.	LV (+)	Parts Number	Parts Description	Qty	Standard	Class
1		C454-000620	ROD, THROTTLE	1		C
2		C410-001520	HANDLE, REAR	1		C
3		C411-000230	LID,HANDLE	1		C
4		C450-001150	TRIGGER,THROTTLE	1		C
5		V452-000260	SPRING,TORSION	1		B
6		178090-37930	LOCKOUT, T. CONTROL	1		C
7		V450-002500	SPRING,COMPRESSION	1		B
8		V805-000240	BOLT, TORX 5	1	TT-5*12 DG 10.9	C
9		V450-002370	SPRING,COMPRESSION	1		B
10		V805-000390	BOLT, TORX 5	1	TB-5*16 10.9	C
11		V450-002510	SPRING,COMPRESSION	1		B
12		V805-000240	BOLT, TORX 5	2	TT-5*12 DG 10.9	C

Class : Consumable class

A:Fast moving parts B:Semi-fast moving parts C:Slow moving parts D:Order only as needed

CHAIN BRAKE



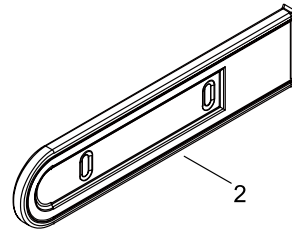
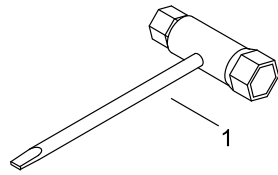
CHAIN BRAKE

Key No.	LV (+)	Parts Number	Parts Description	Qty	Standard	Class
1		A556-000481	DRUM, CLUTCH	1		B
2		A056-000840	CLUTCH ASY	1		B
3	+	A552-000470	HUB, CLUTCH	1		B
4	+	P021-007051	CLUTCH SHOE SET	1		B
5	+	V451-000500	SPRING,TENSION	3		B
6		175019-39430	PLATE, CLUTCH	1		C
7		V555-000170	BEARING,NEEDLE 10	1	8E-KV10*13*12.8	B
8		P100-012200	GUARD, SPROCKET ASY	1		C
9	+	C300-001300	GUARD, SPROCKET	1		C
10	+	V265-000550	NUT,8	2		C
11	+	C649-000420	HOOK	2		D
12	+	C309-000070	TENSIONER, CHAIN	1		C
13	+	V203-000110	BOLT,5	1		C
14	+	V651-000001	GEAR,BEVEL	1		D
15	+	V651-000011	GEAR,BEVEL	1		D
16	+	V355-000140	COLLAR,8	1		C
17	+	C305-000570	PLATE,SPROCKET GUARD	1	T0.5	C
18	+	V804-000000	BOLT, TORX 4	1	TT-4*12 DG 10.9	C
19	+	C345-000800	COVER,BRAKE	1		C
20	+	V804-000000	BOLT, TORX 4	3	TT-4*12 DG 10.9	C
21	+	C334-000100	CONNECTOR, BRAKE	1		C
22	+	C328-000080	BAND, BRAKE	1		C
23	+	900330-30120	ROLLER	1	3*11.8	
24	+	V450-000070	SPRING,COMPRESSION	1		B
25		C320-000640	LEVER, BRAKE	1		C
26		V452-000250	SPRING,TORSION	1		B
27		V203-002610	BOLT,5	2	STEP10 TT5*13	C
28		V652-000330	GEAR,WORM	1	.325	B
29		C305-000560	PLATE,SPROCKET GUARD	1	T0.5	C
30		X502-001050	LABEL,ECHO	1	D SIDE	D
31		X505-011820	LABEL,CAUTION	1	4SYMBOL+114DB	D

Class : Consumable class

A:Fast moving parts B:Semi-fast moving parts C:Slow moving parts D:Order only as needed

ACCESSORIES





ACCESSORIES

Key No.	LV (+)	Parts Number	Parts Description	Qty	Standard	Class
1		X602-000080	TOOL,WRENCH	1	13*19 L180	D
2		X490-000570	SCABBARD,CHAIN	1		D

Class : Consumable class

A:Fast moving parts B:Semi-fast moving parts C:Slow moving parts D:Order only as needed

GUIDE BAR, CHAIN

Pitch ピッチ	Gauge ゲージ	Length 長さ	Guide Bar ガイドバー		Saw Chain ソーチェン		Hard Nose ハード ノーズ 	Sprocket Nose スプロケット ノーズ 
			Key No	Type 形式	Key No	Type 形式		
.325 8.26	0.050 1.27	38	A1	B38S95-64ML- EB	A2	95TXL-64E		●
.325 8.26	0.050 1.27	45	B1	B45S95-72ML- EB	B2	95TXL-72E		●
.325 8.26	0.050 1.27	38	C1	Y38S20-64ML- ED	C2	95TXL-64E		●
.325 8.26	0.050 1.27	45	D1	Y45S20-72ML- ED	D2	95TXL-72E		●

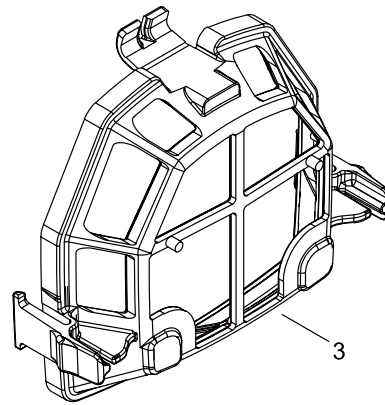
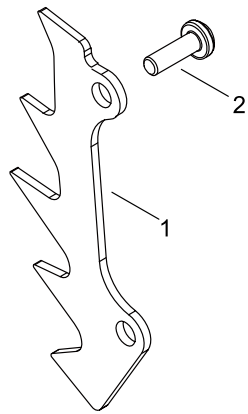
GUIDE BAR, CHAIN

Key No.	LV (+)	Parts Number	Parts Description	Qty	Standard	Class
A1		X123-000760	BAR,GUIDE 35	1	B38S95-64ML- EB	A
A2		X243-000020	CHAIN,SAW	1	95TXL-64E	A
B1		X125-000510	BAR,GUIDE 45	1	B45S95-72ML- EB	A
B2		X245-000060	CHAIN,SAW	1	95TXL-72E	A
C1		X123-000670	BAR,GUIDE 38	1	Y38S20-64ML- ED	A
C2		X243-000020	CHAIN,SAW	1	95TXL-64E	A
D1		X125-000440	BAR,GUIDE 45	1	Y45S20-72ML- ED	A
D2		X245-000060	CHAIN,SAW	1	95TXL-72E	A

Class : Consumable class

A:Fast moving parts B:Semi-fast moving parts C:Slow moving parts D:Order only as needed

OPTION PARTS



OPTION PARTS

Key No.	LV (+)	Parts Number	Parts Description	Qty	Standard	Class
1		C304-000010	SPIKED	1		C
2		V805-000000	BOLT, TORX 5	2	TT-5*16 DG 10.9	C
3		A226-002520	ELEMENT, AIR FILTER	1	ID#3060	A

Class : Consumable class

A:Fast moving parts B:Semi-fast moving parts C:Slow moving parts D:Order only as needed

NUMERICAL PARTS INDEX

Part No	Part description	Page	Part No	Part description	Page	Part No	Part description	Page
100012-16131	BEARING, NEEDLE	2	A511-000300	GRIP,STARTER	14	P006-001400	GASKET, FUEL PUMP	10
100014-53630	SPACER, PISTON PIN	2	A514-000020	PAWL	6	P006-001410	GASKET,METERING	10
100015-03931	CIRCLIP, PISTON PIN	2	A552-000470	HUB, CLUTCH	18	P006-001420	COVER,METERING	10
100142-12330	KEY, WOODRUFF	6	A556-000481	DRUM, CLUTCH	18	P006-001430	DIAPHRAGM, METERING	10
130338-32430	PLUG, COVER	4	C022-000190	AUTO-OILER ASSEMBLY	4	P006-001440	SCREW	10
131051-19830	LINK	4	C300-001300	GUARD, SPROCKET	18	P006-001450	COVER, PUMP	10
132115-01462	GROMMET	4	C304-000010	SPIKED	24	P006-001480	SPRING,METERING	10
132115-44331	GROMMET, FUEL	4	C305-000560	PLATE,SPROCKET GUARD	18	P006-001490	SCREW	10
175019-39430	PLATE, CLUTCH	18	C305-000570	PLATE,SPROCKET GUARD	18	P006-001500	NEEDLE	10
177234-35430	SPRING, RETURN	6	C309-000070	TENSIONER, CHAIN	18	P006-001510	NEEDLE	10
177236-61830	SCREW	14	C310-000110	CATCHER, CHAIN	4	P021-007051	CLUTCH SHOE SET	18
178090-37930	LOCKOUT, T. CONTROL	16	C320-000640	LEVER, BRAKE	18	P022-001330	SPRING KIT, REWIND	14
178810-03330	GROMMET	4	C328-000080	BAND, BRAKE	18	P022-033280	SPRING CASE	14
437210-30831	PIPE	4	C334-000100	CONNECTOR, BRAKE	18	P022-050440	ROPE, STARTER	14
900330-30120	ROLLER	18	C345-000800	COVER,BRAKE	18	P022-055670	DRUM, STARTER	14
900515-00008	NUT, FLANGE	6	C410-001520	HANDLE, REAR	16	P022-063830	CASE,STARTER	14
900720-20029	O-RING	4	C411-000230	LID,HANDLE	16	P100-001900	STRAINER, OIL	4
91449-04010	SCREW, TAPPING	4	C450-001150	TRIGGER,THROTTLE	16	P100-012150	PISTON KIT	2
94095-36201	BEARING, BALL	2	C454-000620	ROD, THROTTLE	16	P100-012160	CRANKCASE SET	2
A021-005420	CARBURETOR, DIAPHRAGM	8	C649-000420	HOOK	18	P100-012170	CRANKSHAFT ASY	2
A021-005420	CARBURETOR, DIAPHRAGM	10	P006-000110	PIN, METERING LEVER	10	P100-012180	COVER ENGINE ASY	4
A035-000040	PUMP, FUEL	4	P006-000120	LEVER, METERING	10	P100-012190	MUFFLER ASY	12
A051-003620	STARTER,RECOIL ASY	14	P006-000130	VALVE, INLET NEEDLE	10	P100-012200	GUARD, SPROCKET ASY	18
A056-000840	CLUTCH ASY	18	P006-000200	SCREEN,INLET	10	P100-012220	CYLINDER COVER ASY	4
A101-000830	RING, PISTON	2	P006-000760	PIN, METERING LEVER	10	P100-012230	CAP ASY	4
A161-000450	DUCT, AIR	8	P006-000850	RETAINER	10	P100-012240	CAP ASY	4
A172-003780	COVER,FAN	14	P006-001010	SCREW	10	V103-002210	GASKET,INTAKE	8
A200-001310	INSULATOR, INTAKE	8	P006-001060	CLIP, THROTTLE SHAFT	10	V103-002230	GASKET,INTAKE	8
A225-000760	CASE,CLEANER	8	P006-001090	SPRING, START VALVE	10	V104-002590	GASKET,EXHAUST	12
A226-002510	ELEMENT, AIR FILTER	8	P006-001100	RING,O	10	V137-000001	GROMMET,FUEL	4
A226-002520	ELEMENT, AIR FILTER	24	P006-001260	SCREW	10	V138-000030	GROMMET,OIL	4
A241-000430	KNOB, CHOKE	4	P006-001270	PLUG, WELCH	10	V186-000530	JOINT,PIPE	4
A310-000570	SCREEN, ARRESTOR	12	P006-001280	PUMP KIT, ACC.	10	V202-000750	BOLT,4	8
A313-002110	GUIDE, EXHAUST	12	P006-001290	SPRING, CHOKE RETURN	10	V203-000110	BOLT,5	18
A356-000031	VALVE,CHECK	4	P006-001300	SCREW	10	V203-002250	BOLT,5	6
A369-000420	STRAINER, FUEL	4	P006-001310	LEVER	10	V203-002260	BOLT,5	4
A409-001460	ROTOR, MAGNETO	6	P006-001320	LEVER,THROTTLE	10	V203-002610	BOLT,5	18
A411-002060	COIL, IGNITION	6	P006-001330	SHAFT, CHOKE ASY	10	V265-000550	NUT,8	18
A425-000000	SPARKPLUG	6	P006-001340	VALVE, CHOKE	10	V355-000140	COLLAR,8	18
A426-000010	TERMINAL,SPARKPLUG	6	P006-001350	SPRING, THRT. RETURN	10	V420-001790	CUSHION	4
A427-000013	CAP,SPARK PLUG	6	P006-001360	SHAFT ASY,THROTTLE	10	V450-000070	SPRING,COMPRESSION	18
A443-000200	PLATE, CONTACT	8	P006-001370	SCREW	10	V450-002370	SPRING,COMPRESSION	16
A444-000150	KNOB, SWITCH	8	P006-001380	VALVE, THROTTLE	10	V450-002500	SPRING,COMPRESSION	16
A507-000110	CATCHER,PAWL	14	P006-001390	DIAPHRAGM PUMP	10	V450-002510	SPRING,COMPRESSION	16
						V451-000500	SPRING,TENSION	18

NUMERICAL PARTS INDEX

Part No	Part description	Page
V452-000250	SPRING,TORSION	18
V452-000260	SPRING,TORSION	16
V452-001320	SPRING,TORSION	14
V471-001231	PIPE	4
V471-001321	PIPE	4
V471-005870	PIPE	4
V485-003730	LEAD	6
V485-003740	LEAD	6
V490-000310	CLIP	6
V490-001240	CLIP	4
V490-001730	CLIP	4
V505-000011	SEAL,OIL 12	2
V555-000170	BEARING,NEEDLE 10	18
V607-000050	PIN,ENG 9	2
V651-000001	GEAR,BEVEL	18
V651-000011	GEAR,BEVEL	18
V652-000330	GEAR,WORM	18
V804-000000	BOLT, TORX 4	18
V805-000000	BOLT, TORX 5	24
V805-000010	BOLT, TORX 5	14
V805-000120	BOLT, TORX 5	12
V805-000210	BOLT, TORX 5	2
V805-000210	BOLT, TORX 5	4
V805-000240	BOLT, TORX 5	16
V805-000250	BOLT, TORX 5	6
V805-000250	BOLT, TORX 5	12
V805-000280	BOLT, TORX 5	8
V805-000390	BOLT, TORX 5	16
X123-000670	BAR,GUIDE 38	22
X123-000760	BAR,GUIDE 35	22
X125-000440	BAR,GUIDE 45	22
X125-000510	BAR,GUIDE 45	22
X243-000020	CHAIN,SAW	22
X245-000060	CHAIN,SAW	22
X490-000570	SCABBARD,CHAIN	20
X502-001050	LABEL,ECHO	18
X502-001330	LABEL,ECHO	14
X503-016280	LABEL,MODEL	4
X505-011820	LABEL,CAUTION	18
X602-000080	TOOL,WRENCH	20