

CS-360TES_35

Serial Number

37003091-99999999

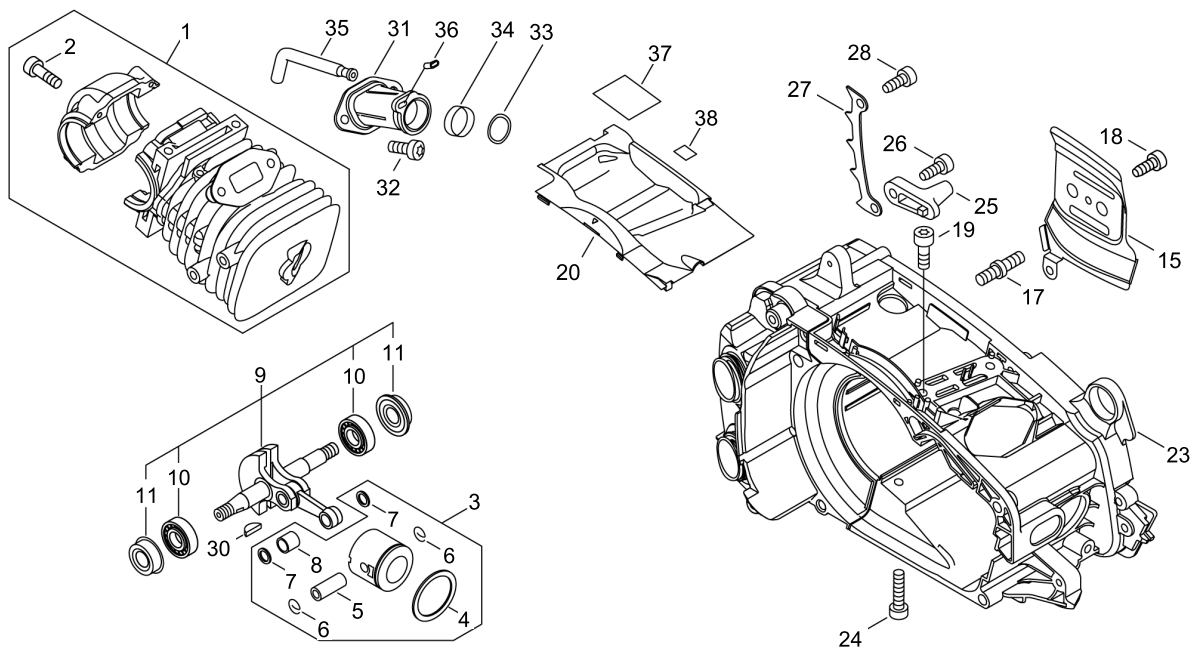
Last updated date

23/Jan/2024

TABLE OF CONTENTS

CYLINDER, PISTON, CRANKSHAFT	1
MUFFLER.....	3
STARTER, MAGNETO.....	5
AUTO-OILER.....	7
HANDLE.....	9
CLUTCH, SPROCKET, CHAIN BRAKE.....	11
ACCESSORIES	13
CARBURETOR.....	15
GUIDE BAR, CHAIN.....	17

CYLINDER, PISTON, CRANKSHAFT



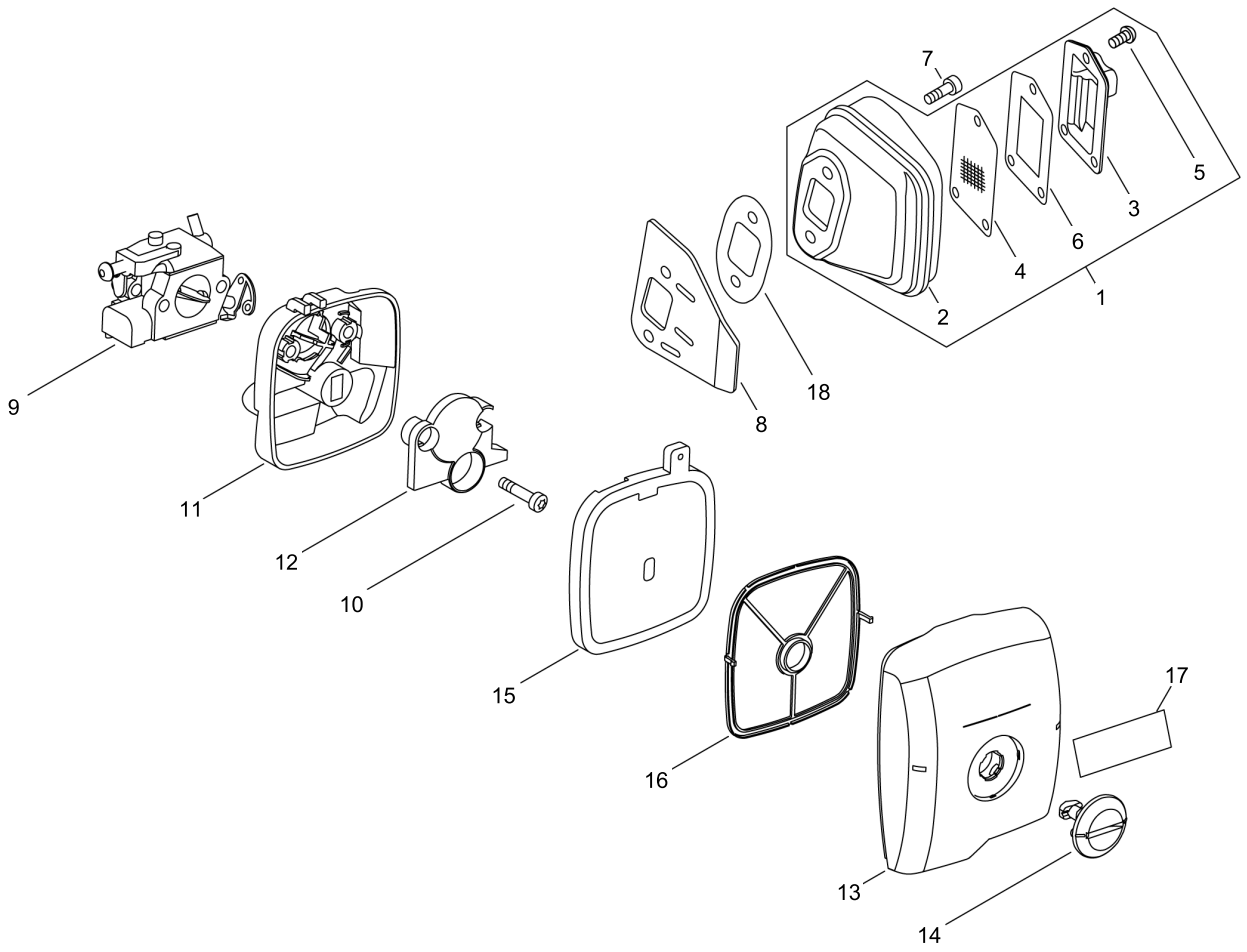
CYLINDER, PISTON, CRANKSHAFT

Key No.	LV (+)	Parts Number	Parts Description	Qty	Standard	Class
1		P021-045430	CRANKCASE SET	1		
2	+	V805-000210	BOLT, TORX 5	4	TB-5*20 12.9	C
3		P021-045440	PISTON KIT	1		
4	+	A101-000670	RING, PISTON	1	39*1.2*1.7	B
5	+	100013-15330	PIN, PISTON	1	5.5*8*29	D
6	+	100015-04630	CIRCLIP, PISTON PIN	2		C
7	+	100014-60930	SPACER, PISTON PIN	2		C
8	+	V553-000130	BEARING, NEEDLE 8	1		B
9		P021-039160	CRANKSHAFT ASY	1		
10	+	94035-36201	BEARING BALL	2	6201X3JR2C3	
11	+	V505-000011	SEAL, OIL 12	2	12*32*5.5	C
15		C305-000430	PLATE, SPROCKET GUARD	1		C
17		V225-000262	BOLT, STUD 8	2		C
18		V804-000000	BOLT, TORX 4	1	TT-4*12 DG 10.9	C
19		V805-000210	BOLT, TORX 5	2	TB-5*20 12.9	C
20		A127-000370	COVER, DUST	1		C
23		A190-001151	COVER, ENGINE	1		C
23		A190-001152	COVER, ENGINE	1		C
24		V805-000180	BOLT, TORX 5	2	TB-5*30 12.9	C
25		433026-35430	CATCHER, CHAIN	1		B
26		V805-000010	BOLT, TORX 5	1	TT-5*20 DG 10.9	C
27		C304-000000	SPIKE	1		C
28		V805-000000	BOLT, TORX 5	1	TT-5*16 DG 10.9	C
30		100142-12330	KEY, WOODRUFF	1		C
31		A202-000231	BELLOWS, INTAKE	1		C
32		V805-000140	BOLT, TORX 5	2	TB-5*12 10.9	C
33		V311-000170	WASHER, CIRCULAR 16-1	1	T1.2	C
34		V451-001411	SPRING, TENSION	1		B
35		V470-001910	PIPE	1		C
36		V351-000000	COLLAR, 3	1	3.2*6.5	C
37		X505-002441	LABEL, CAUTION	1		D
38		X505-007760	LABEL, CAUTION	1	13800R/MIN	D

Class : Consumable class

A:Fast moving parts B:Semi-fast moving parts C:Slow moving parts D:Order only as needed

MUFFLER



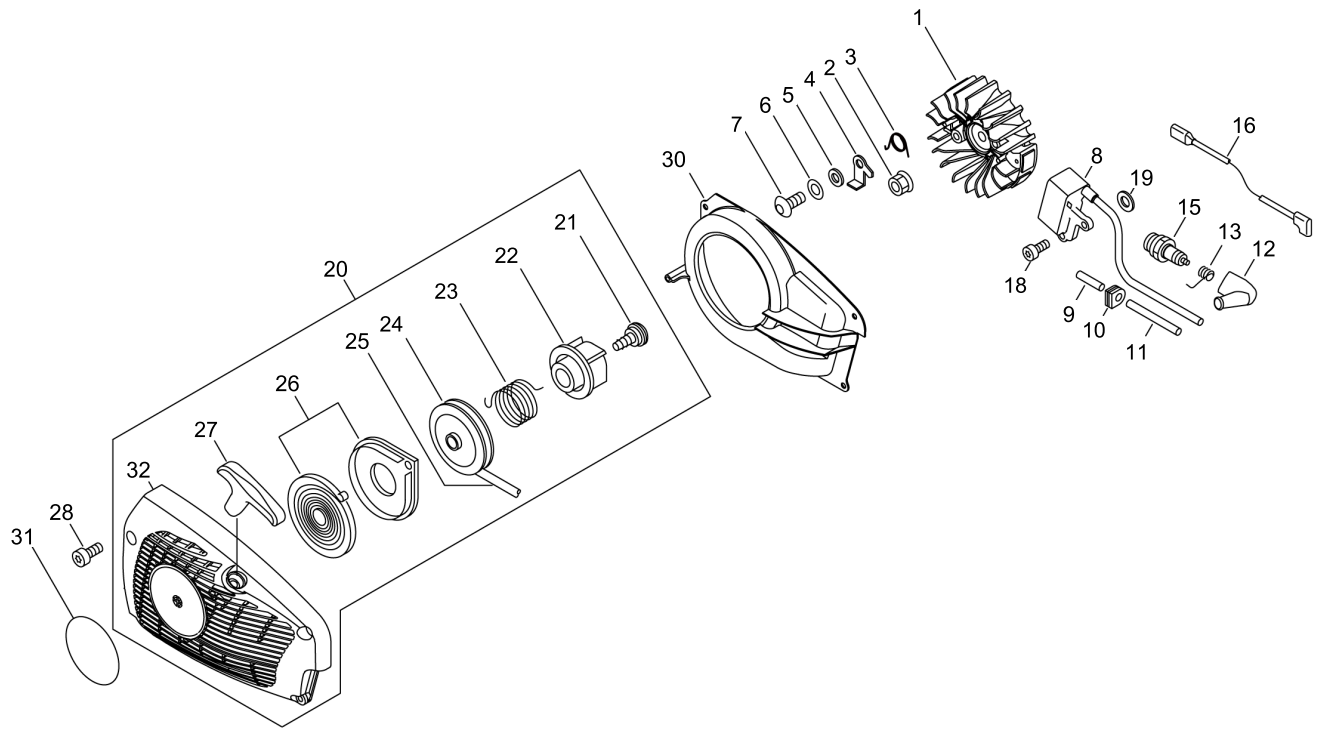
MUFFLER

Key No.	LV (+)	Parts Number	Parts Description	Qty	Standard	Class
1		P021-045450	MUFFLER ASY	1		
2	+	A300-001840	MUFFLER, EXHAUST	1		C
3	+	A313-001980	GUIDE, EXHAUST	1	ID # 2140	C
4	+	A310-000431	SCREEN, ARRESTOR	1		B
5	+	900242-04010	SCREW 4*10	3	4*10	
6	+	V104-001980	GASKET,EXHAUST	1		A
7		V805-000250	BOLT, TORX 5	2	TB-5*16 12.9	C
8		A312-000070	PLATE, EXHUST	1		C
9		A021-004210	CARBURETOR,DIAPHRAGM	1	ZAMA	B
10		V805-000080	BOLT, TORX 5	2	TB-5*50 10.9	C
11		A225-000611	CASE,CLEANER	1		C
12		A244-000280	PLATE, PREVENT	1		C
13		A232-001652	LID,CLEANER	1		C
14		A235-000361	KNOB,CLEANER LID	1		C
15		A226-001820	ELEMENT, AIR FILTER	1		A
16		A228-000030	SEAL,CLEANER	1		A
17		X503-012640	LABEL,MODEL	1	CS-360TES EU	D
18		V104-001960	GASKET,EXHAUST	1		A

Class : Consumable class

A:Fast moving parts B:Semi-fast moving parts C:Slow moving parts D:Order only as needed

STARTER, MAGNETO



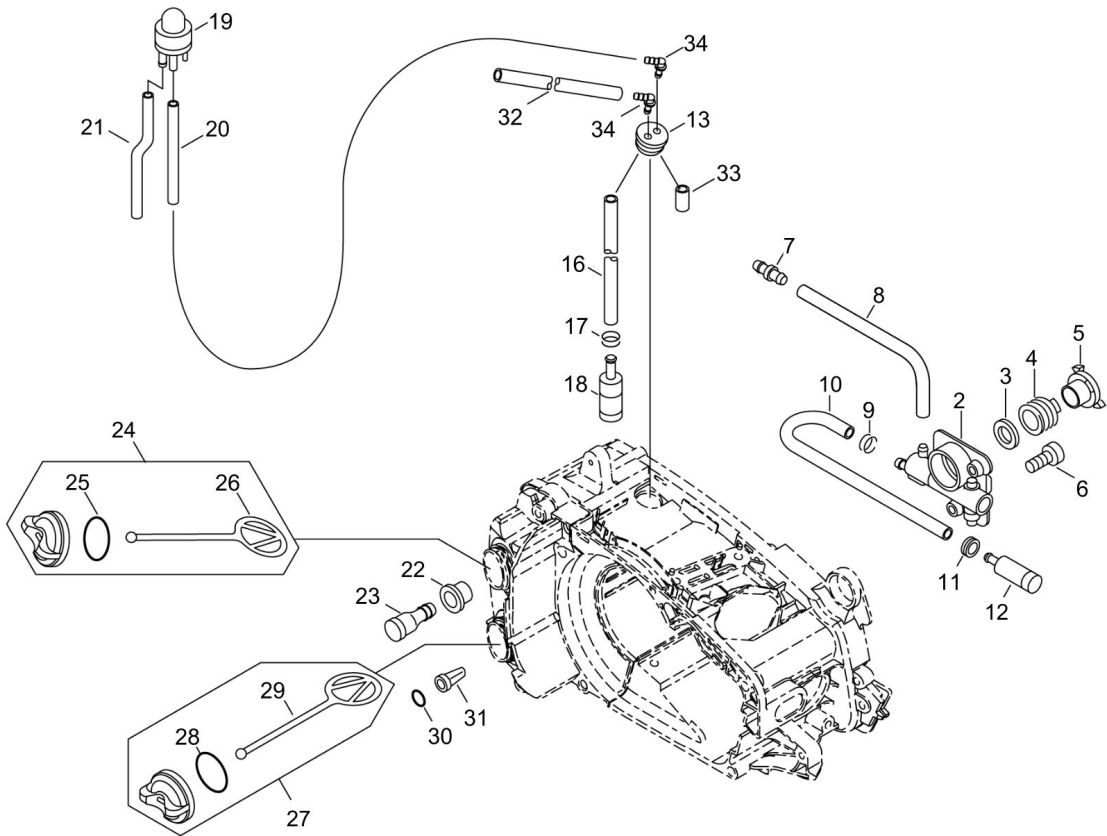
STARTER, MAGNETO

Key No.	LV (+)	Parts Number	Parts Description	Qty	Standard	Class
1		A409-001240	ROTOR, MAGNETO	1		C
2		900515-00008	NUT, FLANGE 8	1	8	
3		177234-35430	SPRING, RETURN	2		B
4		A514-000270	PAWL	2		C
5		177247-04630	SPACER, RATCHET	2	5.2*8*2.1	C
6		900603-00005	WASHER 5	2	5.5*12*0.8	
7		V203-000080	BOLT,5	2	5*14	C
8		A411-001500	COIL, IGNITION	1	OPPAMA ID#	C
9		V475-001900	TUBE	1	7*8.6*30	C
10		156110-04920	BUSHING	1		C
11		V475-002390	TUBE	1		C
12		A427-000013	CAP,SPARK PLUG	1		C
13		A426-000010	TERMINAL,SPARKPLUG	1		C
15		A425-000000	SPARKPLUG	1	BPMR8Y	A
16		V485-002430	LEAD	1		C
18		V805-000210	BOLT, TORX 5	2	TB-5*20 12.9	C
19		150117-16430	SPACER	2		C
20		A051-002510	STARTER,RECOIL ASY	1		B
20		A051-002511	STARTER,RECOIL ASY	1		B
32	+	P022-037160	CASE, STARTER	1		
32	+	P022-038500	CASE,STARTER	1		
21	+	177236-61830	SCREW	1		
22	+	P022-036680	PLATE, CAM	1		
23	+	P022-036670	SPRING,DAMPER	1		C
24	+	P022-036660	DRUM, STARTER	1		
25	+	P022-008440	ROPE, STARTER	1	3.5*900	B
26	+	P022-001330	SPRING KIT, REWIND	1		B
27	+	P022-005891	GRIP, STARTER	1		C
28		V804-000060	BOLT, TORX 4	4	TB-4*16 10.9	C
30		A172-002090	COVER,FAN	1		C
30		A172-002091	COVER,FAN	1		C
31		X502-000410	LABEL,ECHO	1		D

Class : Consumable class

A:Fast moving parts B:Semi-fast moving parts C:Slow moving parts D:Order only as needed

AUTO-OILER



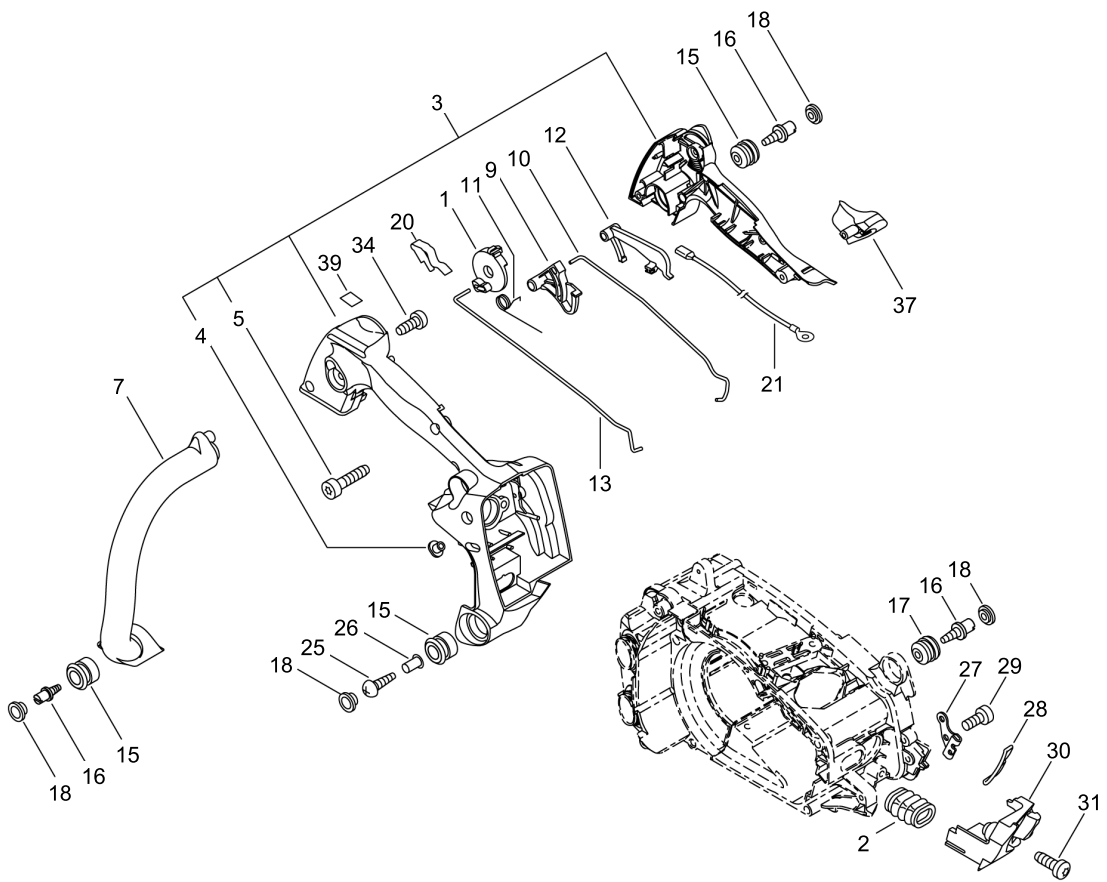
AUTO-OILER

Key No.	LV (+)	Parts Number	Parts Description	Qty	Standard	Class
2		C022-000020	AUTO-OILER ASSEMBLY	1	OP-7	C
3		V308-000030	WASHER,CIRCULAR 11	1	10.5*17.4*1.8	C
4		V652-000030	GEAR,WORM	1		B
5		V356-000290	COLLAR,10	1		C
6		V804-000050	BOLT, TORX 4	2	TB-4*12 10.9	C
7		V187-000010	NIPPLE	1		C
8		132012-11960	PIPE 3* 6* 45	1	3*6*45 NBR	C
9		V490-001230	CLIP	1		C
10		V471-000740	PIPE	1		C
11		132115-01461	GROMMET	1		C
12		436205-02832	STRAINER, OIL	1		
13		132115-44330	GROMMET	1		C
16		V471-002290	PIPE	1	3*5*140	C
17		V490-001240	CLIP	1		C
18		131205-14931	STRAINER,FUEL	1		A
19		123181-39130	PUMP, PRIMER	1		A
20		V471-003380	PIPE	1	2.4*5*400	C
21		V471-003400	PIPE	1	2.4*5*180	C
22		V137-000000	GROMMET,FUEL	1		C
23		131300-56431	VENT ASSEMBLY, FUEL	1		B
24		P021-038080	FUEL CAP ASY	1		
25	+	V581-000590	RING,O	1	P18	A
26	+	A365-000050	CONNECTOR,CAP	1		B
27		P021-005581	CAP ASY	1	BLACK	C
28	+	900720-00018	O-RING	1	P-18	
29	+	A365-000050	CONNECTOR,CAP	1		B
30		900724-00004	O-RING	1	S-4	
31		436114-13930	VALVE, CHECK	1		B
32		V471-003410	PIPE	1	3*5*265	C
33		V471-003390	PIPE	1	2.4*5*15	C
34		V186-000530	JOINT,PIPE	2		C

Class : Consumable class

A:Fast moving parts B:Semi-fast moving parts C:Slow moving parts D:Order only as needed

HANDLE



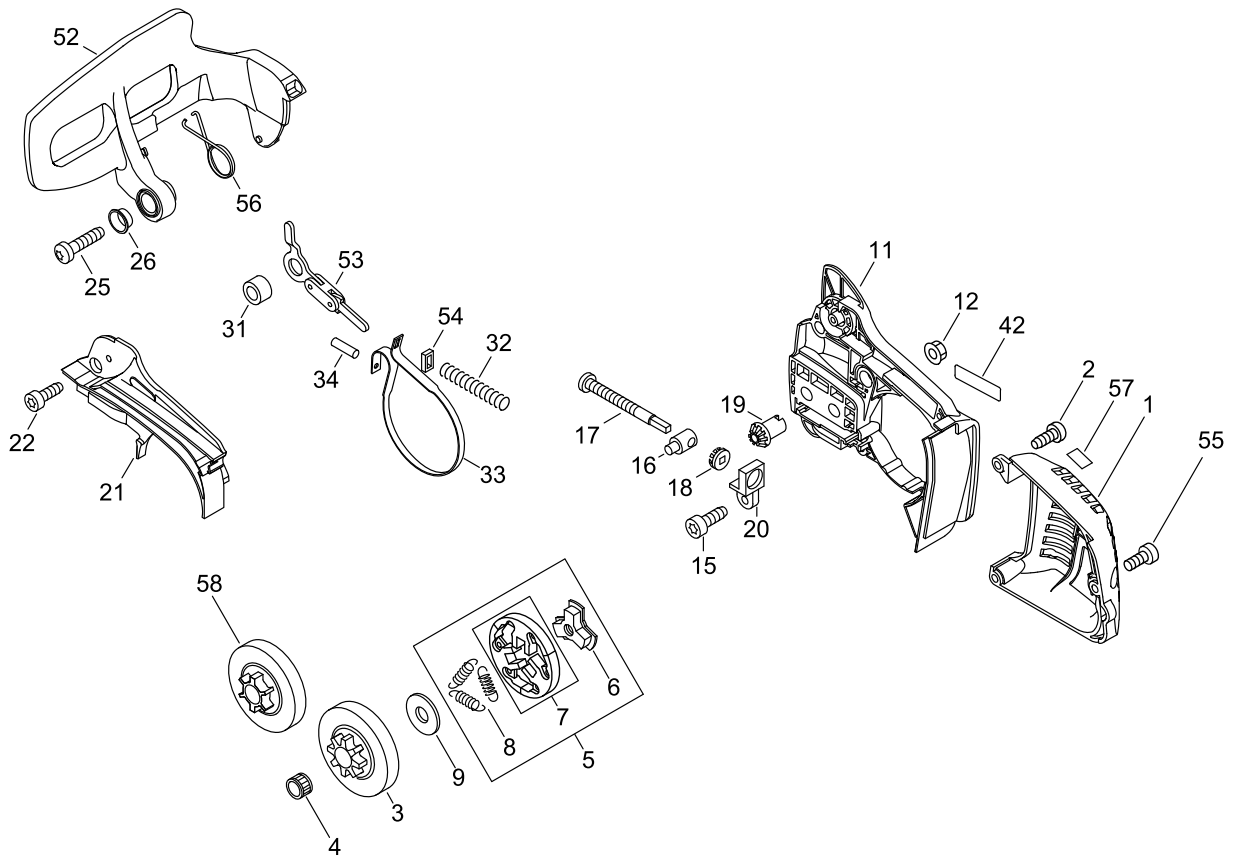
HANDLE

Key No.	LV (+)	Parts Number	Parts Description	Qty	Standard	Class
1		A253-000090	LEVER, CONTROL	1		C
2		A239-000000	PIPE,INTAKE	1		C
3		P021-041820	HANDLE SET, REAR	1		
4	+	130020-33330	NUT	2		C
5	+	V804-000010	BOLT, TORX 4	4	TT-4*16 DG 10.9	C
7		C400-001150	HANDLE, FRONT	1		C
9		C450-000731	CONTROL, THROTTLE	1		C
10		C454-000491	ROD, THROTTLE	1		C
11		V452-000010	SPRING,TORSION	1		B
12		C460-000002	LOCKOUT,THROTTLE	1		C
13		A240-000200	ROD, CHOKE	1		C
15		V400-000070	CUSHION,4	3		B
16		V202-000000	BOLT,4	3		C
17		100910-18830	CUSHION	1		B
18		100918-15130	CAP	4		C
20		V486-000371	TERMINAL,LEAD	1		C
21		V485-002441	LEAD	1		C
25		91481-04035	SCREW TAPPING	1		
26		V352-000020	COLLAR,4	1		C
27		C626-000070	FIXTURE, HARNESS	1		C
28		C646-000100	RING, HARNESS	1		C
29		V805-000140	BOLT, TORX 5	1	TB-5*12 10.9	C
30		A429-000160	COVER,CAP	1		C
31		V805-000010	BOLT, TORX 5	1	TT-5*20 DG 10.9	C
34		V805-000010	BOLT, TORX 5	1	TT-5*20 DG 10.9	C
37		C401-000320	PIECE,HANDLE	1		D
39		890157-39131	LABEL, SWITCH	1		D

Class : Consumable class

A:Fast moving parts B:Semi-fast moving parts C:Slow moving parts D:Order only as needed

CLUTCH, SPROCKET, CHAIN BRAKE



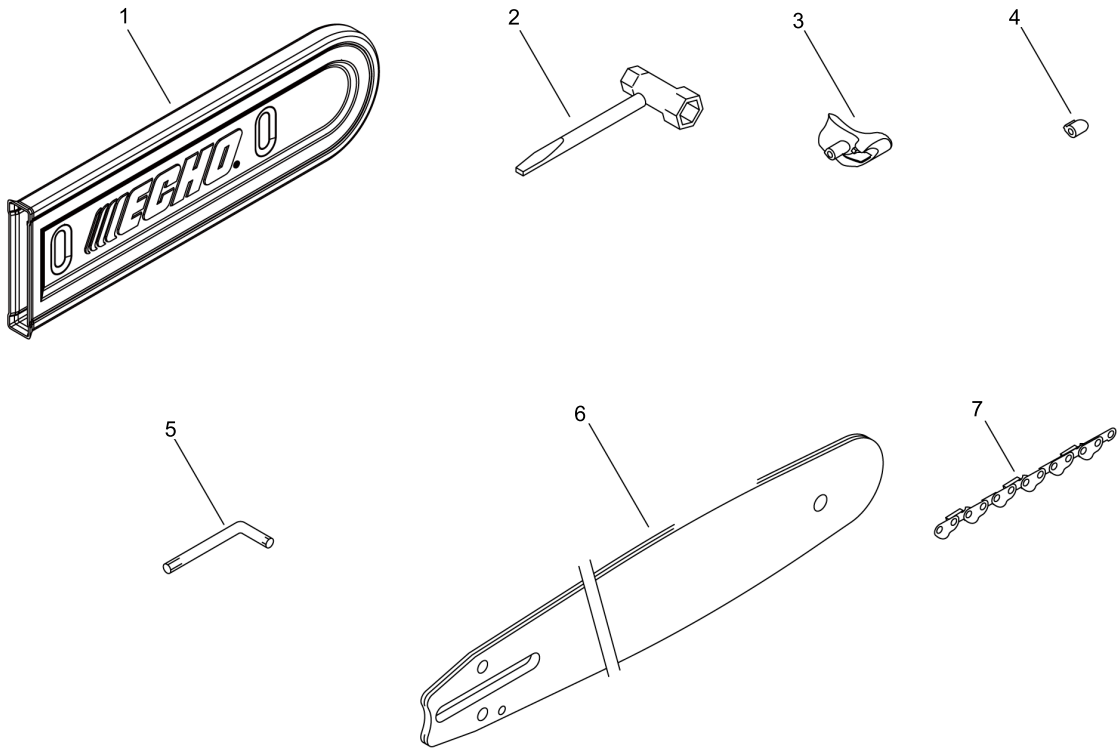
CLUTCH, SPROCKET, CHAIN BRAKE

Key No.	LV (+)	Parts Number	Parts Description	Qty	Standard	Class
1		A320-001080	COVER,MUFFLER	1	FOR CAT MUFF	C
2		V805-000010	BOLT, TORX 5	2	TT-5*20 DG 10.9	C
3		175005-39133	DRUM, CLUTCH	1	3/8 6T	B
4		V555-000170	BEARING,NEEDLE 10	1	8E-KV10*13*12.8	B
5		A056-000070	CLUTCH	1		B
6	+	A552-000020	HUB,CLUTCH	1		B
7	+	P021-005810	CLUTCH SHOE SET	1		B
8	+	V451-000470	SPRING,TENSION	3		B
9		A551-000010	PLATE,CLUTCH	1		C
11		C300-000952	GUARD, SPROCKET	1		C
12		V265-000200	NUT	2		C
15		V804-000000	BOLT, TORX 4	1	TT-4*12 DG 10.9	C
16		C309-000030	TENSIONER,CHAIN	1		C
17		V203-000041	BOLT,5	1		C
18		V651-000011	GEAR,BEVEL	1		D
19		V651-000001	GEAR,BEVEL	1		D
20		V355-000140	COLLAR,8	1		C
21		C345-000520	COVER,BRAKE	1		C
22		V804-000000	BOLT, TORX 4	3	TT-4*12 DG 10.9	C
25		V805-000240	BOLT, TORX 5	1	TT-5*12 DG 10.9	C
26		V356-000430	COLLAR,10	1		C
31		433116-35430	SPACER 8	1	8*12*9	C
32		V450-000070	SPRING,COMPRESSION	1		B
33		C328-000310	BAND, BRAKE	1		C
34		93050-30098	ROLLER	1	3*9.8	C
42		X502-000340	LABEL,ECHO	1	ECHO(WHITE)	D
52		C320-000501	LEVER, BRAKE	1		C
53		C334-000290	CONNECTOR, BRAKE	1		C
54		V376-000450	SPACER	1		C
55		V805-000150	BOLT, TORX 5	1	TB-5*16 10.9	C
56		V452-001380	SPRING,TORSION	1		B
57		X505-007710	LABEL,CAUTION	1		D
58		175007-39233	DRUM, CLUTCH 1/4	1	1/4 8T	B

Class : Consumable class

A:Fast moving parts B:Semi-fast moving parts C:Slow moving parts D:Order only as needed

ACCESSORIES



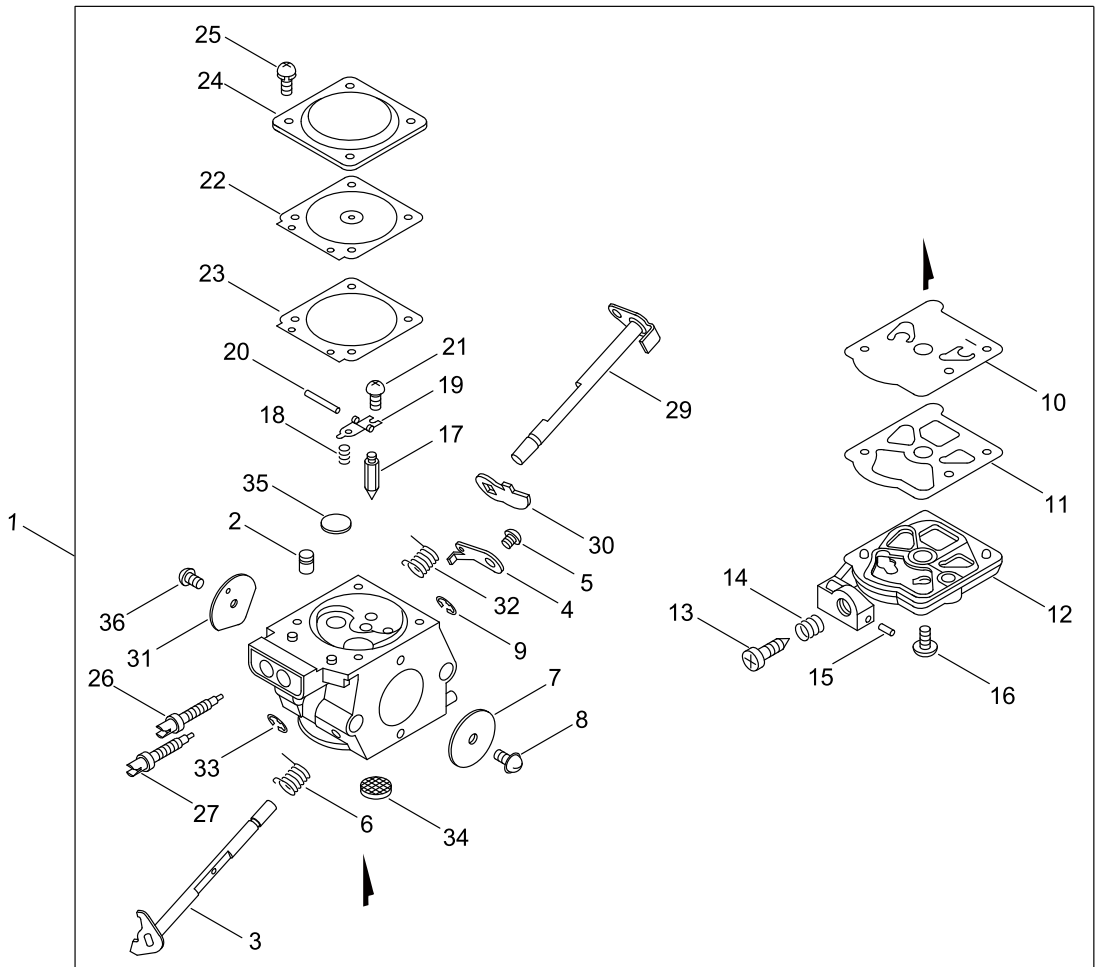
ACCESSORIES

Key No.	LV (+)	Parts Number	Parts Description	Qty	Standard	Class
1		X490-000510	SCABBARD,CHAIN	1		D
2		X602-000080	TOOL,WRENCH	1	13*19 L180	D
3		C401-000300	PIECE,HANDLE	1		D
4		C401-000310	PIECE,HANDLE	1		D
5		X605-000170	TOOL,L WRENCH	1		D
6		X123-000550	BAR,GUIDE 35	1	35RC50MDC-3/8EC	A
7		X223-000130	CHAIN,SAW	1	91PX-53E	A

Class : Consumable class

A:Fast moving parts B:Semi-fast moving parts C:Slow moving parts D:Order only as needed

CARBURETOR





CARBURETOR

Key No.	LV (+)	Parts Number	Parts Description	Qty	Standard	Class
1		A021-004210	CARBURETOR,DIAPHRAGM	1	ZAMA	B
2	+	P005-003130	NOZZLE, CHECK VALVE	1		
3	+	P005-003140	SHAFT ASY,THROTTLE	1		
4	+	P005-003150	LEVER, THROTTLE	1		
5	+	125348-13930	SCREW	1		D
6	+	P005-000790	SPRING,THRT.RETURN	1		
7	+	P005-003160	VALVE, THROTTLE	1		
8	+	P005-003170	SCREW	1		D
9	+	125327-13930	CLIP	1		
10	+	P005-001110	DIAPHRAGM, PUMP	1		A
11	+	125325-08360	GASKET, PUMP	1		
12	+	P005-003180	COVER, PUMP	1		D
13	+	125334-06960	SCREW,THROTTLEADJUST	1		
14	+	125333-33330	SPRING, IDLE ADJUST	1		D
15	+	125378-13930	PIECE, FRICTION	1		D
16	+	125310-13930	SCREW	1		D
17	+	125337-08260	VALVE, INLET NEEDLE	1		D
18	+	125322-13930	SPRING, COIL	1		
19	+	125323-08260	ARM, VALVE	1		
20	+	125338-13930	PIN, METERING ARM	1		D
21	+	125339-13930	SCREW	1		D
22	+	P005-003190	DIAPHRAGM ,METERING	1		
23	+	P005-003200	GASKET, METERING	1		A
24	+	P005-003210	COVER, METERING	1		D
25	+	P005-003220	SCREW	4		
26	+	P005-002370	NEEDLE, HIGH SPEED	1		D
27	+	P005-002380	NEEDLE, IDLE	1		D
29	+	P005-002390	SHAFT, CHOKE	1		
30	+	P005-003230	LEVER, CHOKE	1		
31	+	P005-003240	VALVE, CHOKE	1		
32	+	P005-000880	SPRING, CHOKE RETURN	1		
33	+	125327-15130	CLIP	1		
34	+	P005-000860	SCREEN, FUEL INLET	1		B
35	+	P005-002400	PLUG, WELCH	1		
36	+	125314-51230	SCREW	1	3*4.5	D

Class : Consumable class

A:Fast moving parts B:Semi-fast moving parts C:Slow moving parts D:Order only as needed

GUIDE BAR, CHAIN

Pitch ピッチ (inch) (mm)	Gauge ゲージ (inch) (mm)	Length 長さ (cm)	Guide Bar ガイドバー		Saw Chain ソーチェン		Hard Nose ハード ノーズ 	Sprocket Nose スプロケット ノーズ 
			Key №	Type 形式	Key №	Type 形式		
3/8 9.53	0.050 1.27	30	A1	30RC50MDC-3/8EC	A2	91PX-47E		●
3/8 9.53	0.050 1.27	35	B1	35RC50MDC-3/8EC	B2	91PX-53E		●
1/4 6.35	0.050 1.27	30	C1	30C50SL	C2	25A-68E	●	
					C3	25AP-68E		
1/4 6.35	0.050 1.27	35	D1	35C50SL	D2	25A-76E	●	
					D3	25AP-76E		

GUIDE BAR, CHAIN

Key No.	LV (+)	Parts Number	Parts Description	Qty	Standard	Class
A1		X122-000340	BAR,GUIDE 30	1	30RC50MDC-3/8EC	A
A2		X222-000140	CHAIN,SAW	1	91PX-47E	A
B1		X123-000550	BAR,GUIDE 35	1	35RC50MDC-3/8EC	A
B2		X223-000130	CHAIN,SAW	1	91PX-53E	A
C1		X102-000070	BAR,GUIDE 30	1	30C50SL ECHO	A
C2		X202-000010	CHAIN,SAW	1	25A-68E	A
C3		431611-10030	CHAIN, SAW 25AP-68E	1	25AP-68E	A
D1		X103-000110	BAR,GUIDE 35	1	35C50SL ECHO	A
D2		X203-000000	CHAIN,SAW	1	25A-76E	A
D3		431612-10030	CHAIN, SAW 25AP-76E	1	25AP-76E	A

Class : Consumable class

A:Fast moving parts B:Semi-fast moving parts C:Slow moving parts D:Order only as needed

NUMERICAL PARTS INDEX

Part No	Part description	Page	Part No	Part description	Page	Part No	Part description	Page
100013-15330	PIN, PISTON	2	900720-00018	O-RING	8	C305-000430	PLATE, SPROCKET GUARD	2
100014-60930	SPACER, PISTON PIN	2	900724-00004	O-RING	8	C309-000030	TENSIONER, CHAIN	12
100015-04630	CIRCLIP, PISTON PIN	2	91481-04035	SCREW TAPPING	10	C320-000501	LEVER, BRAKE	12
100142-12330	KEY, WOODRUFF	2	93050-30098	ROLLER	12	C328-000310	BAND, BRAKE	12
100910-18830	CUSHION	10	94035-36201	BEARING BALL	2	C334-000290	CONNECTOR, BRAKE	12
100918-15130	CAP	10	A021-004210	CARBURETOR, DIAPHRAGM	4	C345-000520	COVER, BRAKE	12
123181-39130	PUMP, PRIMER	8	A021-004210	CARBURETOR, DIAPHRAGM	16	C400-001150	HANDLE, FRONT	10
125310-13930	SCREW	16	A051-002510	STARTER, RECOIL ASY	6	C401-000300	PIECE, HANDLE	14
125314-51230	SCREW	16	A051-002511	STARTER, RECOIL ASY	6	C401-000310	PIECE, HANDLE	14
125322-13930	SPRING, COIL	16	A056-000070	CLUTCH	12	C401-000320	PIECE, HANDLE	10
125323-08260	ARM, VALVE	16	A101-000670	RING, PISTON	2	C450-000731	CONTROL, THROTTLE	10
125325-08360	GASKET, PUMP	16	A127-000370	COVER, DUST	2	C454-000491	ROD, THROTTLE	10
125327-13930	CLIP	16	A172-002090	COVER, FAN	6	C460-000002	LOCKOUT, THROTTLE	10
125327-15130	CLIP	16	A172-002091	COVER, FAN	6	C626-000070	FIXTURE, HARNESS	10
125333-33330	SPRING, IDLE ADJUST	16	A190-001151	COVER, ENGINE	2	C646-000100	RING, HARNESS	10
125334-06960	SCREW, THROTTLE ADJUST	16	A190-001152	COVER, ENGINE	2	P005-000790	SPRING, THRT. RETURN	16
125337-08260	VALVE, INLET NEEDLE	16	A202-000231	BELLOWS, INTAKE	2	P005-000860	SCREEN, FUEL INLET	16
125338-13930	PIN, METERING ARM	16	A225-000611	CASE, CLEANER	4	P005-000880	SPRING, CHOKE RETURN	16
125339-13930	SCREW	16	A226-001820	ELEMENT, AIR FILTER	4	P005-001110	DIAPHRAGM, PUMP	16
125348-13930	SCREW	16	A228-000030	SEAL, CLEANER	4	P005-002370	NEEDLE, HIGH SPEED	16
125378-13930	PIECE, FRICTION	16	A232-001652	LID, CLEANER	4	P005-002380	NEEDLE, IDLE	16
130020-33330	NUT	10	A235-000361	KNOB, CLEANER LID	4	P005-002390	SHAFT, CHOKE	16
131205-14931	STRAINER, FUEL	8	A239-000000	PIPE, INTAKE	10	P005-002400	PLUG, WELCH	16
131300-56431	VENT ASSEMBLY, FUEL	8	A240-000200	ROD, CHOKE	10	P005-003130	NOZZLE, CHECK VALVE	16
132012-11960	PIPE 3* 6* 45	8	A244-000280	PLATE, PREVENT	4	P005-003140	SHAFT ASY, THROTTLE	16
132115-01461	GROMMET	8	A253-000090	LEVER, CONTROL	10	P005-003150	LEVER, THROTTLE	16
132115-44330	GROMMET	8	A300-001840	MUFFLER, EXHAUST	4	P005-003160	VALVE, THROTTLE	16
150117-16430	SPACER	6	A310-000431	SCREEN, ARRESTOR	4	P005-003170	SCREW	16
156110-04920	BUSHING	6	A312-000070	PLATE, EXHUST	4	P005-003180	COVER, PUMP	16
175005-39133	DRUM, CLUTCH	12	A313-001980	GUIDE, EXHAUST	4	P005-003190	DIAPHRAGM, METERING	16
175007-39233	DRUM, CLUTCH 1/4	12	A320-001080	COVER, MUFFLER	12	P005-003200	GASKET, METERING	16
177234-35430	SPRING, RETURN	6	A365-000050	CONNECTOR, CAP	8	P005-003210	COVER, METERING	16
177236-61830	SCREW	6	A409-001240	ROTOR, MAGNETO	6	P005-003220	SCREW	16
177247-04630	SPACER, RATCHET	6	A411-001500	COIL, IGNITION	6	P005-003230	LEVER, CHOKE	16
431611-10030	CHAIN, SAW 25AP-68E	18	A425-000000	SPARKPLUG	6	P005-003240	VALVE, CHOKE	16
431612-10030	CHAIN, SAW 25AP-76E	18	A426-000010	TERMINAL, SPARKPLUG	6	P021-005581	CAP ASY	8
433026-35430	CATCHER, CHAIN	2	A427-000013	CAP, SPARK PLUG	6	P021-005810	CLUTCH SHOE SET	12
433116-35430	SPACER 8	12	A429-000160	COVER, CAP	10	P021-038080	FUEL CAP ASY	8
436114-13930	VALVE, CHECK	8	A514-000270	PAWL	6	P021-039160	CRANKSHAFT ASY	2
436205-02832	STRAINER, OIL	8	A551-000010	PLATE, CLUTCH	12	P021-041820	HANDLE SET, REAR	10
890157-39131	LABEL, SWITCH	10	A552-000020	HUB, CLUTCH	12	P021-045430	CRANKCASE SET	2
900242-04010	SCREW 4*10	4	C022-000020	AUTO-OILER ASSEMBLY	8	P021-045440	PISTON KIT	2
900515-00008	NUT, FLANGE 8	6	C300-000952	GUARD, SPROCKET	12	P021-045450	MUFFLER ASY	4
900603-00005	WASHER 5	6	C304-000000	SPIKE	2	P022-001330	SPRING KIT, REWIND	6

NUMERICAL PARTS INDEX

Part No	Part description	Page	Part No	Part description	Page
P022-005891	GRIP, STARTER	6	V505-000011	SEAL,OIL 12	2
P022-008440	ROPE, STARTER	6	V553-000130	BEARING,NEEDLE 8	2
P022-036660	DRUM, STARTER	6	V555-000170	BEARING,NEEDLE 10	12
P022-036670	SPRING,DAMPER	6	V581-000590	RING,O	8
P022-036680	PLATE, CAM	6	V651-000001	GEAR,BEVEL	12
P022-037160	CASE, STARTER	6	V651-000011	GEAR,BEVEL	12
P022-038500	CASE,STARTER	6	V652-000030	GEAR,WORM	8
V104-001960	GASKET,EXHAUST	4	V804-000000	BOLT, TORX 4	2
V104-001980	GASKET,EXHAUST	4	V804-000000	BOLT, TORX 4	12
V137-000000	GROMMET,FUEL	8	V804-000010	BOLT, TORX 4	10
V186-000530	JOINT,PIPE	8	V804-000050	BOLT, TORX 4	8
V187-000010	NIPPLE	8	V804-000060	BOLT, TORX 4	6
V202-000000	BOLT,4	10	V805-000000	BOLT, TORX 5	2
V203-000041	BOLT,5	12	V805-000010	BOLT, TORX 5	2
V203-000080	BOLT,5	6	V805-000010	BOLT, TORX 5	10
V225-000262	BOLT,STUD 8	2	V805-000010	BOLT, TORX 5	12
V265-000200	NUT	12	V805-000080	BOLT, TORX 5	4
V308-000030	WASHER,CIRCULAR 11	8	V805-000140	BOLT, TORX 5	2
V311-000170	WASHER,CIRCULAR 16-1	2	V805-000140	BOLT, TORX 5	10
V351-000000	COLLAR,3	2	V805-000150	BOLT, TORX 5	12
V352-000020	COLLAR,4	10	V805-000180	BOLT, TORX 5	2
V355-000140	COLLAR,8	12	V805-000210	BOLT, TORX 5	2
V356-000290	COLLAR,10	8	V805-000210	BOLT, TORX 5	6
V356-000430	COLLAR,10	12	V805-000240	BOLT, TORX 5	12
V376-000450	SPACER	12	V805-000250	BOLT, TORX 5	4
V400-000070	CUSHION,4	10	X102-000070	BAR,GUIDE 30	18
V450-000070	SPRING,COMPRESSION	12	X103-000110	BAR,GUIDE 35	18
V451-000470	SPRING,TENSION	12	X122-000340	BAR,GUIDE 30	18
V451-001411	SPRING,TENSION	2	X123-000550	BAR,GUIDE 35	14
V452-000010	SPRING,TORSION	10	X123-000550	BAR,GUIDE 35	18
V452-001380	SPRING,TORSION	12	X202-000010	CHAIN,SAW	18
V470-001910	PIPE	2	X203-000000	CHAIN,SAW	18
V471-000740	PIPE	8	X222-000140	CHAIN,SAW	18
V471-002290	PIPE	8	X223-000130	CHAIN,SAW	14
V471-003380	PIPE	8	X223-000130	CHAIN,SAW	18
V471-003390	PIPE	8	X490-000510	SCABBARD,CHAIN	14
V471-003400	PIPE	8	X502-000340	LABEL,ECHO	12
V471-003410	PIPE	8	X502-000410	LABEL,ECHO	6
V475-001900	TUBE	6	X503-012640	LABEL,MODEL	4
V475-002390	TUBE	6	X505-002441	LABEL,CAUTION	2
V485-002430	LEAD	6	X505-007710	LABEL,CAUTION	12
V485-002441	LEAD	10	X505-007760	LABEL,CAUTION	2
V486-000371	TERMINAL,LEAD	10	X602-000080	TOOL,WRENCH	14
V490-001230	CLIP	8	X605-000170	TOOL,L WRENCH	14
V490-001240	CLIP	8			